



MYLEK®



PROGRAMMABLE TIMER

HEATER

WITH LCD SCREEN
& REMOTE CONTROL

MYRA600W
MYRA900W
MYRA1200W
MYRA1500W

User Manual -
Please read and retain
for future reference

www.hsdonline.co.uk

Contents

- 2. CONTENTS
- 3. INTRODUCTION
- 4. GENERAL SAFETY INSTRUCTIONS
- 6. INSTALLATION AND MOUNTING
- 10. CONTROL PANEL
- 10. LCD SCREEN
- 10. OPERATION
 - Operating instructions
 - Locking / Unlocking
 - Using the heater
 - Manual use
 - Changing the selected temperature
 - Switching off
 - Automatic use (programmed)
- 14. FAQ
- 15. POWER CUTS
- 15. SAFETY
- 15. RECOMMENDATIONS
- 15. MAINTENANCE
- 16. INFORMATION REQUIREMENT FOR THE ELECTRIC LOCAL SPACE HEATERS
- 20. PAT TESTING
- 20. ENVIRONMENTAL RESPONSIBILITIES
- 20. SERVICE WARRANTY

Introduction

General Information

Please read the entire instruction manual before using the product and then save it for future reference. We reserve the right for any errors in text or images and any necessary changes made to technical data. If you have any questions concerning technical problems please contact our Customer Services on 0800 091 3171.

Safety Instructions

General safety instructions for heaters:

Warning: Read all the instructions. Failure to comply with the following instructions can lead to electric shocks, fires or serious injury.

SAVE THESE INSTRUCTIONS.



ERP Compliant

Good News your product is ErP Compliant, ErP stands for “Energy Related Products”. ErP is supported by Mylek to make the use of energy and energy related products more efficient, by phasing out inefficient products and making it easier for consumers to find energy information, providing guidance to more energy efficient products.

Your heater is fitted with a ERP Compliant sensor that detects a sudden drop in temperature, meaning there could be a open window or draft, when the sudden drop in room temperature is detected your heater quickly increases the display room temperature to your set temperature to switch the heater off to save energy, once the heater senses a natural rise in room temperature (meaning the window as been shut or draft eliminated) it drops the display room temperature back down to normal room temperature to switch the heater back on again. Making your Mylek heater energy efficient and great for the environment.

GENERAL SAFETY INSTRUCTIONS

- Remove the plug from the mains power socket to disconnect the heater. Do NOT pull on the cable.
- Do not leave the mains cable in contact with the heater when it is switched on.
- During operation, ensure that the heater is kept well away from combustible materials such as curtains, carpets and furniture, etc.



- **DO NOT COVER THE HEATER. DO NOT USE THE HEATER TO DRY CLOTHES.**

If the heater is covered, there is serious risk of overheating.



- **DANGER:** If the mains cable is damaged, it must be replaced by the manufacturer or by its after-sales service, by fully qualified personnel in order to prevent any hazardous situations.

- If the heater is to be installed in a bathroom, it must be installed by a qualified electrician in volume 3 (Figure 2, page 6).
- The heater must not be located under or in front of a mains socket.
- When disposing of the heater, all requirements established by current legislation for waste processing and recycling must be followed.
- The installation must be carried out according to current electrical legislation.
- This heater must have an earth connection.
- The heater must be installed so that the mains plug is always accessible.
- This heater cannot be flush-mounted in a wall. Always respect the safety distances (Figures 3 and 4).
- * A locking system is fitted to prevent children from playing with the heater programming.
- This heater is not designed to be handled by children or physically, mentally or sensory handicapped persons, with little experience or knowledge, unless under the supervision of a person responsible for their safety and in possession of the corresponding instructions on use. Children must be supervised to ensure they do not play with the heater.
- * Children under 3 years must be kept well away from the heater unless under constant supervision.
- * Children of less than 3 years should be kept away unless continuously supervised. Children aged from 3 years and less than 8 years shall only switch on/off the appliance provided that it has been placed or installed in its intended normal operating position and they have been given supervision or instruction concerning use of the appliance in a safe way and understand the hazards involved. Children aged from 3 years and less than 8 years shall not plug in, regulate and clean the appliance or perform user maintenance.

* This appliance may be used by children age 8 and over and by persons with physical, sensorial or mental disabilities or without experience or knowledge, provided they have been duly trained and are supervised by somebody who understands the hazards. The cleaning and maintenance to be carried out by the user must not be done by children. Children should not play with the appliance.



- PRECAUTION: Certain parts of this heater may become very hot during operation and cause burns. Special care must be taken when children and other vulnerable persons are present.



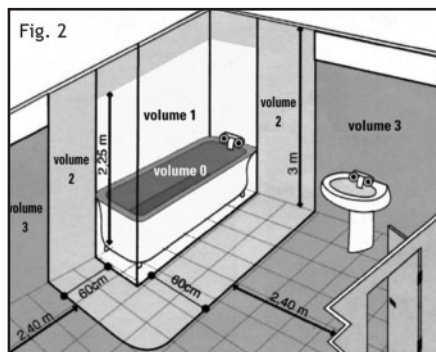
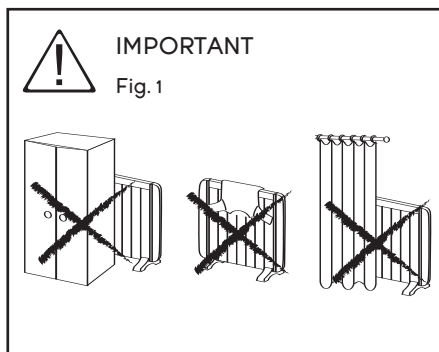
- PRECAUTION: Keep bags and other accessories well out of the reach of children.
 - Do not touch the outside of the heater during operation.
 - It is quite normal to notice a smell of "something new" when the heater is switched on for the first time". Allow your heater to work in a well-ventilated area for two or three hours.
 - Before each cold season or if the heater has been switched off for several days/months, it should be cleaned before switching it on again (follow the steps in "section 10 Maintenance"). This cleaning will prevent the burning of accumulated dust and other remains.
 - This heater CANNOT be operated with external programmable units or any other third party control device.
 - Owing to the convection effect of this heater, together with other external factors, discolouration of metal and other surfaces can be caused if in proximity to the heater. This can cause discolouration of metal and plastic surfaces.
 - Temperature fluctuations may cause crackling or heater noises. This is not an indication of failure.
- * The heater warranty does not cover any damage caused by failing to follow these instructions.

INSTALLATION AND MOUNTING

- This heater can be installed on feet (provided) or wall mountable (fixings provided).
- The heater must never be installed underneath a mains wall socket.
- The heater must never be installed in a position where the switches and other controls can be reached by someone in the bath or shower.
- The heater works through natural air convection. In order to achieve correct performance and uniform heat distribution, when it is installed on a wall the lower part of the heater must be at a minimum distance of twenty centimetres from the floor and a minimum distance of twenty centimetres from the sides and fifty centimetres from an upper shelf and also a minimum distance of twenty centimetres from any wall or object (furniture and curtains etc).

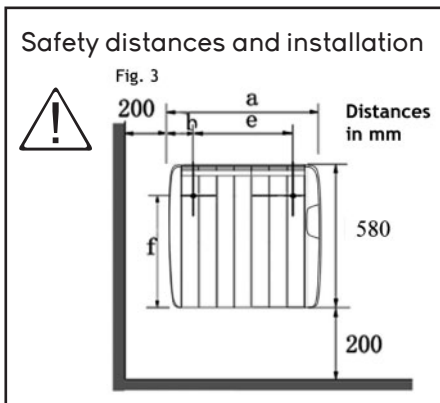


A qualified electrician can install your heater in volume 3 in the bathroom (Figure 2). It must not be possible to reach it from the bath or shower.

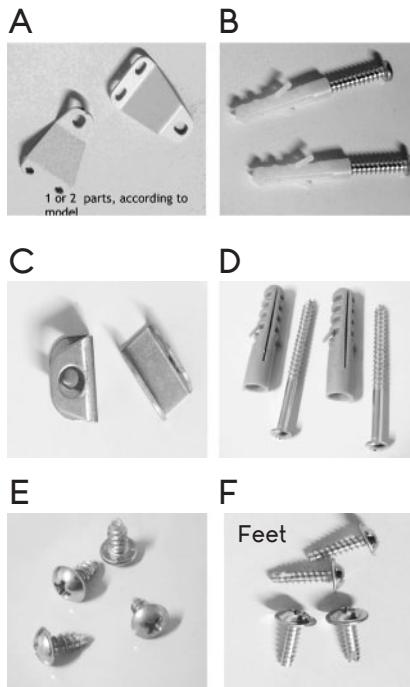
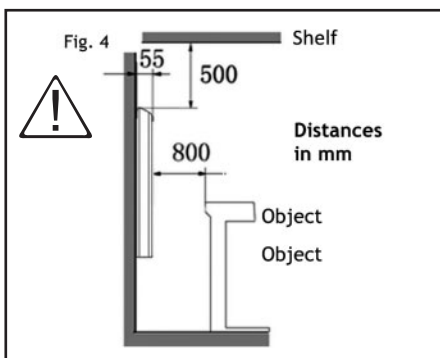


WALL INSTALLATION:

1. Select a suitable location on the wall, which should be firm and level. Check that there is a mains socket close by.
2. The distances marked, "a" and "e" vary depending on the heater model.
3. Open the package box and check that all fixing accessories are present, it is a good idea to keep the product box for out of season storage.



Models	a(mm)	b(mm)	e(mm)	f(mm)
MYRA600W	410	93	140	495
MYRA900W	550	93	280	495
MYRA1200W	690	93	420	495
MYRA1500W	830	93	560	495



ASSEMBLY

1. While respecting the previously indicated safety measurements, make two marks on the wall according to measurement "e" indicated in Table 1 and at a height of 695 mm from the floor (not from the skirting board).
2. At the marked area drill two 10-mm diameter holes, with a minimum depth of 60 mm.
3. Push the two plugs (D) into the two holes and secure the two hooks (C) with the two screws (D). (Figure 6 & 7).
4. Screw the two support brackets (A) (or one support bracket, depending on the model) to the rear part of the heater with the four screws (E) (or two screws, depending on the model).

Note: The two brackets (A) are screwed to the holes located on the lower rear part of the heater, at both ends. (Figure 8).

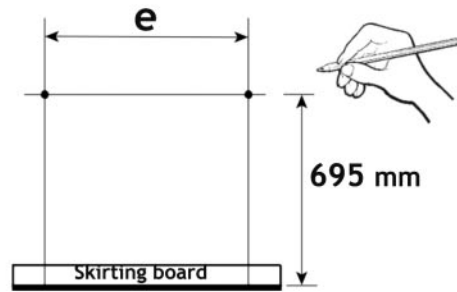


Fig. 5

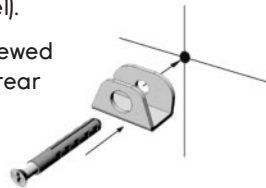


Fig. 6

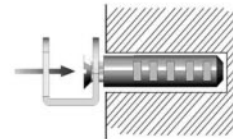


Fig. 7

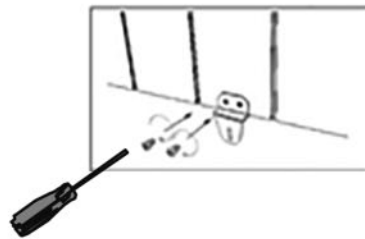


Fig. 8

5. Hang the heater on the two hooks (C) on the wall. Ensure that the heater is correctly secured on both hooks. (Figure 9).
6. When the heater is hung in place, make two marks on the wall where the two brackets (A) will be fixed to ensure the heater is fixed to the wall. (Figure 10).
7. Remove the heater and drill two 4-mm diameter holes, with a minimum depth of 25 mm at the two marks on the wall.
8. Insert the two plugs and secure with the two screws (B) to completely secure the heater to the wall. (Figure 11).

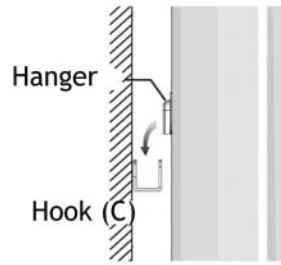


Fig. 9

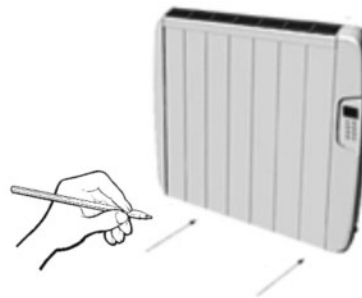


Fig. 10

INSTALLING THE FEET:

1. Screw the two feet to the lower rear part of the heater with the four screws provided (F), 2 screws per foot. (Figure 12).

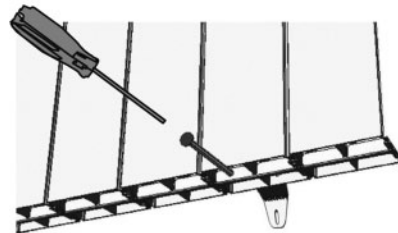


Fig. 11

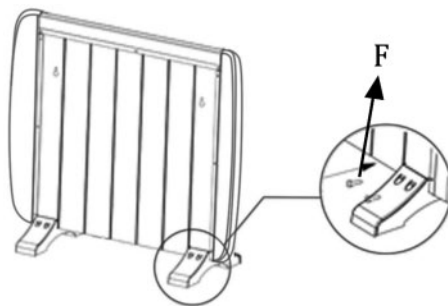
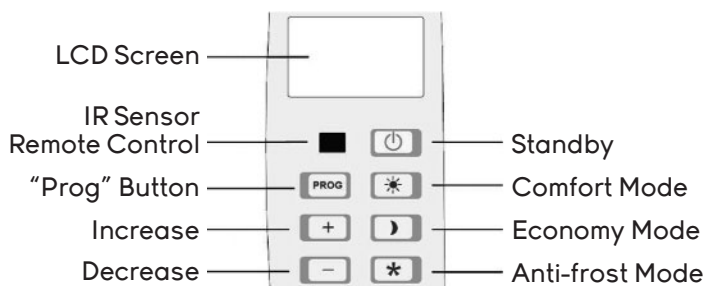


Fig. 12

CONTROL PANEL



LCD SCREEN & REMOTE CONTROL

The screen comes on for ten seconds every time a button is pressed and then dims as a energy saving function.

The heater can be programmed by either the LCD control section on the heater or by the remote control.

(1) CONSUMPTION INDICATOR

This appears when the heater is consuming power, in other words, in operation.

(2) TEMPERATURE INDICATOR:

- Ambient room temperature reading: that of the room, it is displayed on all screens by default.
- Assigned temperature: programmed by the user as the desired temperature for COMFORT MODE, ECONOMY MODE OR ANTI-FROST MODE. To display this temperature press the (-) or (+) button.

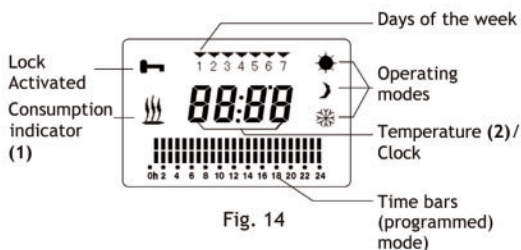


Fig. 14

OPERATION

- Your heater is fitted with a digital, daily-programmable timer-thermostat that controls and adjusts the heating.
- The heater can be used in two ways, either manually or automatically. It is fitted with a daily timer for each day of the week.

IMPORTANT:

The temperature indicated on the screen may differ from that given by another thermometer in the same room. Different conditions such as air currents, windows etc, could cause these differences.

Operating Instructions

1. When the heater is installed and connected to the mains power, press the ON/OFF switch, which is located at the bottom right side of the unit.
2. The LCD screen will light up and all the symbols will flash several times.
3. Then the operating mode just before the last switch-off appears (stand-by (Fig 15), manual (Fig 16) or automatic (Fig 17), together with the approximate room temperature.

Standby Mode

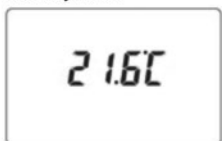


Fig. 15

Manual Mode
(example: Comfort Mode)

Fig. 16

Automatic Mode



Fig. 17

4. When in "Standby" mode (Fig. 15), press the "Standby" button to switch the heater on (Figure 13). The heater comes on and the last selected operating mode symbol appears on the screen. In addition, the approximate room temperature is displayed.

If the heater is switched on in manual (Fig. 16) or automatic mode (Fig. 17) the unit is in operation.

Locking / Unlocking

The heater controls will automatically lock when no button has been pressed for sixty seconds as a child safety function. This operation will occur in both manual and automatic modes. The heater controls can be unlocked by pressing the "+" and "-" buttons together on the control panel for three seconds (Figure 13) or on the remote control by pressing either singly the "+" or "-" button.

Note: After unlocking the keypad, the selected temperature will appear for three seconds with °C flashing.

Using the heater

The heater can operate in manual or automatic mode (programmed).

Manual Use

To select manual mode, press the "PROG" key until the time bars disappear from the LCD screen (Figure 18).

Manual Mode
(example: Comfort Mode)

Fig. 18

When in manual mode, the desired heating mode can be selected (comfort, economy or anti-freeze) by pressing the corresponding button (Fig. 13) and the heater will permanently operate in any of these modes with the programmed temperatures.

Changing the selected temperature

The heater is supplied with a pre-established temperature for each operating mode, which can be modified in the following manner:

• MANUAL - COMFORT MODE:

- Press the Comfort mode button (Figure 13).
- Use the (-) or (+) buttons to select the desired temperature. (Example, select 22°C)
- The selected temperature is saved. The existing room temperature will be displayed again after a few seconds.

Note: The comfort mode is recommended for a comfortable temperature when remaining in the room.

Recommended temperature: 21°C.

• MANUAL - ECONOMY MODE:

- Press the Economy Mode button (Figure 13).
- Use the (-) or (+) buttons to select the desired temperature. (Example, Select 18°C)
- The selected temperature is saved. The existing room temperature will be displayed again after a few seconds.

Note: This mode is recommended for long absences from the room and is the ideal temperature for night time.


Recommended temperature: 17°C.

• MANUAL - ANTI-FREEZING MODE:

- Press the Anti-freezing Mode button (Figure 13).
- Use the (-) or (+) buttons to select the desired temperature. (Example, Select 7°C)
- The selected temperature is saved. The existing room temperature will be displayed again after a few seconds.

Note: This mode is recommended for unused dwellings in extremely cold climates.

Recommended temperature: 5°C.

IMPORTANT: If the selected temperature is higher than that of the room the heater will start operating (the flame symbol will be displayed ).

Note: If, no buttons are pressed after approximately ten seconds the screen will be switched off as a energy saving mode. It will switch on again when any button is pressed.

Switching off

The heater operation can be disconnected by pressing the "Standby" button (Fig. 13). The heater can be permanently switched off by the ON/OFF switch at the right bottom side of the unit.

Automatic Use (Programmed)

Taking into account your personal needs, the heater provides the possibility to create an individual program. This program is established according to the day, time and operating modes: comfort, economy, anti-icing or standby mode.

1. If the heater is in Standby (Fig.19), press the "Standby" button (Fig 13) to switch it on.



2. Press the "PROG" button for three seconds. The four clock digits will be displayed. First, the two "hour" digits will flash. Use the (+) or (-) buttons to enter the current hour. Then, press "PROG" to program the minutes. Enter the current minutes. Press the "PROG" button.

3. Then, program the current day of the week. The following digits will be displayed, "1,-,-,-,-,-", 1 standing for Monday. Use the (+) or (-) buttons to enter the day of the week you want to program as follows (1 = Monday, 2 = Tuesday etc), once the day is selected press the "PROG" button.

4. Programming each day of the week. Begin by programming the first bar for Monday

(1) For example 00:00 hours until 01:00 (the first double bar will flash), there are 24 double bars, one double bar for every hour.

An operating mode can be assigned to each hour:

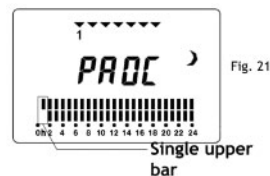
- To program comfort, press the "Comfort" button:

(Comfort Mode = one double bar and "Comfort" symbol).



- To program economy, press the "Economy" button

(Economy Mode = one single upper bar and "Economy" symbol).



- To program "Anti-icing", press the "Anti-icing" button.

(Anti-icing Mode = one single bottom bar and "Anti-icing" symbol).



- To program "Standby – switch off", press the "Stand-by" button.

(Standby Mode = no bars".)



Programming is performed hour by hour. The selected hour will flash.

5. Press the "+" or "-" to select the time bar hour you wish to set. The selected time bar hour will flash, if you require the heater to be off during the selected time bar hour press the "Standby Button" (Figure 13) and the selected time bar will not show, the unit is then set NOT to operate during this hour. If you require the selected time bar hour to operate during this hour, simply press which mode you require the time bar to operate in, either Comfort (double bar), Economy (single upper bar) or Ant-frost (single bottom bar) and the relevant symbol will show for this hour, the unit will then operate in this mode during this set hour. Repeat the process for every time bar hour until you have fully programmed your preferred settings.

6. When all the time bars for Monday have been programmed, press the "PROG" button to move on to the next day, Tuesday (2). Repeat all these steps to program each day of the week, until Sunday (7) is reached. When Sunday is programmed, press the "PROG" button to confirm settings, press the "PROG" button again to show the current day displaying your settings, the current hour will flash.

IMPORTANT: If you wish to modify the previously assigned temperatures for each operating mode then follow the steps given on page 12 of these instructions.

EXAMPLE PROGRAMME:

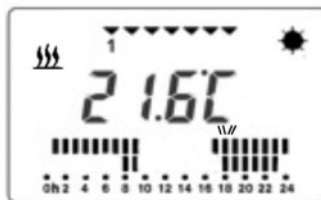



Fig. 24

- The programmed actual day. (1 for Monday).
- The approximate room temperature (Example 21.6°C).
- The current time bar flashes (18:00 – 19:00) for current, Hour.
- The mode programmed in each time bar:
 - Comfort Mode (Sun symbol) 1800-2359hrs.
 - Economy Mode (Half Moon symbol) 1900 & 2359-0800.
 - Switched off between 1000-1600hrs.
- The heater element is switched on .

Note: If this symbol is not shown, the heater is not consuming power.

IMPORTANT: Pressing the "PROG" button will change between manual and automatic modes (programmed).

Note: After working for two or three months, the clock will usually require adjustment.

POWER CUTS

If there is a power cut, the heater will not work, but will be switched on again in the same mode as before when the power is re-established.

All previous adjustments will remain unaltered (temperatures and programmes), "EXCEPT THE CLOCK AND THE CURRENT DAY OF THE WEEK".

If, during an absence from your dwelling, you discover that the heaters are not working:

When the mains power has been restored, the clock and current time must be reprogrammed.

AVERAGE ROOM HEAT CALCULATOR

The required power of the heater depends on size of room, its insulation, outside temperature etc. (ie. whether the room is south or north facing). The following table gives estimated average recommendations on what wattage power is required depending on the size and height of the room with standard insulation. If the ceiling is higher or insulation is poor, it is recommended to choose a higher rated wattage heater.

Wattage Size	Room size, m ² <i>(Based on ceiling height 2.4m)</i>
600W	7 - 9 m ²
900W	9 - 12 m ²
1200W	12 - 15 m ²
1500W	15 - 20 m ²

SAFETY

- Do NOT cover the heater. Do NOT use it to dry clothes. If it is covered, there will be a serious risk of overheating.
- The unit is fitted with a safety device that will switch it off in case of overheating. It will automatically switch on again when the problem is resolved. If this problem repeats itself it could cause damage or faults that are not covered by the warranty.

RECOMMENDATIONS

- Remember that the economy mode should be used when there is nobody in the room or at night. The comfort mode provides the desired temperature when the room is occupied.
- The anti-frost mode should not be used unless in an extremely cold climate.
- Always remember to maintain intermediate temperatures for best performance.

MAINTENANCE

- This heater does not require any special maintenance.
- It is recommended that when the heater is put into use for the first time each year, all dust and any other dirt on the outer surfaces should be cleaned off (ALWAYS COLD AND SWITCHED OFF), together with any accumulated dust inside.
- The dust should be cleaned off with a soft dry cloth. ALWAYS WITH THE HEATER SWITCHED OFF AND COLD.
- NEVER USE SOLVENTS, CLEANING OR ABRASIVE PRODUCTS.

INFORMATION REQUIREMENT FOR THE ELECTRIC LOCAL SPACE HEATERS

MODEL IDENTIFIER(S): MYRA600W

ITEM	SYMBOL	VALUE	UNIT	ITEM	UNIT
Heat output			Type of heat input, for electric storage local space heaters only (select one)		
Nominal heat output	P _{nom}	0.60	kW	manual heat charge control, with integrated thermostat	No
Minimum heat output (indicative)	P _{min}	0.60	kW	manual heat charge control, with room and/or outdoor temperature feedback	No
Maximum continuous heat output	P _{max,c}	0.60	kW	electronic heat charge control with room and/or outdoor temperature feedback	No
				fan assisted heat output	No
Auxiliary electricity consumption			Type of heat output/room temperature control (select one)		
At nominal heat output	e _{lmax}	N/A	kW		
At minimum heat output	e _{lmin}	N/A	kW	single stage heat output and no room temperature control	No
In standby mode	e _{lSB}	0.00094	kW	two or more manual stages, no room temperature control	No
				with mechanic thermostat room temperature control	No
				with electronic room temperature control	No
				electronic room temperature control plus day timer	No
				electronic room temperature control plus week timer	Yes
			Other control options (multiple selections possible)		
				room temperature control with presence detection	No
				room temperature control with open window detection	Yes
				with distance control option	No
				with adaptive start control	No
				with working time limitation	No
				with black bulb sensor	No

Contact details Refer to Applicant Name / Address

MODEL IDENTIFIER(S): MYRA900W

ITEM	SYMBOL	VALUE	UNIT	ITEM	UNIT
Heat output				Type of heat input, for electric storage local space heaters only (select one)	
Nominal heat output	Pnom	0.90	kW	manual heat charge control, with integrated thermostat	No
Minimum heat output (indicative)	Pmin	0.90	kW	manual heat charge control, with room and/or outdoor temperature feedback	No
Maximum continuous heat output	Pmax,c	0.90	kW	electronic heat charge control with room and/or outdoor temperature feedback	No
				fan assisted heat output	No
Auxiliary electricity consumption				Type of heat output/room temperature control (select one)	
At nominal heat output	elmax	N/A	kW		
At minimum heat output	elmin	N/A	kW	single stage heat output and no room temperature control	No
In standby mode	eISB	0.00094	kW	two or more manual stages, no room temperature control	No
				with mechanic thermostat room temperature control	No
				with electronic room temperature control	No
				electronic room temperature control plus day timer	No
				electronic room temperature control plus week timer	Yes
				Other control options (multiple selections possible)	
				room temperature control with presence detection	No
				room temperature control with open window detection	Yes
				with distance control option	No
				with adaptive start control	No
				with working time limitation	No
				with black bulb sensor	No

Contact details Refer to Applicant Name / Address

INFORMATION REQUIREMENT FOR THE ELECTRIC LOCAL SPACE HEATERS

MODEL IDENTIFIER(S): MYRA1200W

ITEM	SYMBOL	VALUE	UNIT	ITEM	UNIT
Heat output				Type of heat input, for electric storage local space heaters only (select one)	
Nominal heat output	P _{nom}	1.20	kW	manual heat charge control, with integrated thermostat	No
Minimum heat output (indicative)	P _{min}	1.20	kW	manual heat charge control, with room and/or outdoor temperature feedback	No
Maximum continuous heat output	P _{max,c}	1.20	kW	electronic heat charge control with room and/or outdoor temperature feedback	No
				fan assisted heat output	No
Auxiliary electricity consumption				Type of heat output/room temperature control (select one)	
At nominal heat output	e _{lmax}	N/A	kW		
At minimum heat output	e _{lmin}	N/A	kW	single stage heat output and no room temperature control	No
In standby mode	e _{lSB}	0.00094	kW	two or more manual stages, no room temperature control	No
				with mechanic thermostat room temperature control	No
				with electronic room temperature control	No
				electronic room temperature control plus day timer	No
				electronic room temperature control plus week timer	Yes
				Other control options (multiple selections possible)	
				room temperature control with presence detection	No
				room temperature control with open window detection	Yes
				with distance control option	No
				with adaptive start control	No
				with working time limitation	No
				with black bulb sensor	No

Contact details Refer to Applicant Name / Address

MODEL IDENTIFIER(S): MYRA1500W

ITEM	SYMBOL	VALUE	UNIT	ITEM	UNIT
Heat output				Type of heat input, for electric storage local space heaters only (select one)	
Nominal heat output	Pnom	1.50	kW	manual heat charge control, with integrated thermostat	No
Minimum heat output (indicative)	Pmin	1.50	kW	manual heat charge control, with room and/or outdoor temperature feedback	No
Maximum continuous heat output	Pmax,c	1.50	kW	electronic heat charge control with room and/or outdoor temperature feedback	No
				fan assisted heat output	No
Auxiliary electricity consumption				Type of heat output/room temperature control (select one)	
At nominal heat output	elmax	N/A	kW		
At minimum heat output	elmin	N/A	kW	single stage heat output and no room temperature control	No
In standby mode	eISB	0.00094	kW	two or more manual stages, no room temperature control	No
				with mechanic thermostat room temperature control	No
				with electronic room temperature control	No
				electronic room temperature control plus day timer	No
				electronic room temperature control plus week timer	Yes
				Other control options (multiple selections possible)	
				room temperature control with presence detection	No
				room temperature control with open window detection	Yes
				with distance control option	No
				with adaptive start control	No
				with working time limitation	No
				with black bulb sensor	No

Contact details Refer to Applicant Name / Address

FAQ

I. If the unit does not heat:

- a. Verify that it is switched on.
- b. Check that the power consumption indicator is on; otherwise, increase the temperature assigned to each mode.

II. If the unit does not provide sufficient heat:

- a. Check whether the flame symbol is displayed and if it appears intermittently, increase the temperature assigned to each mode.
- b. Check that the installed heater has adequate power for the room size.

Pat Testing

When used in a workplace, this product must be safety-tested yearly by a qualified electrician (PAT Tested) in order to comply with the Electricity at Work Regulations. We recommend that it is PAT tested regularly when used in a domestic environment.

Environmental Responsibilities



Meaning of crossed-out wheeled dustbin:

Do not dispose of electrical appliances as unsorted municipal waste, use separate collection facilities.

Contact your local council for information regarding the collection systems available.

If electrical appliances are disposed of in landfills or dumps, hazardous substances can leak into the groundwater and get into the food chain damaging your health and well-being.

When replacing old appliances with new ones, the retailer is legally obligated to take back your old appliance for disposal free of charge.

SERVICE WARRANTY

Hygiene Supplies Direct guarantees the product free from defects in materials and workmanship for a period of 1 year from date of purchase.

Should this unit be operated under conditions other than those recommended, at voltages other than the voltage indicated on the unit, or any attempts made to service or modify the unit, then the warranty will be rendered void. The product you buy may sometimes differ slightly from illustrations. This warranty is in addition to, and does not affect, your statutory rights.

If you have any problems with this product, please call our Help Desk on 0800 091 3171 or email sales@hygienesuppliesdirect.com

YESSS Electrical, YESSS House, Normanton, WF6 1TN declares that the Mylek Heaters are exclusively manufactured and imported for Hygiene Supplies Direct Ltd.