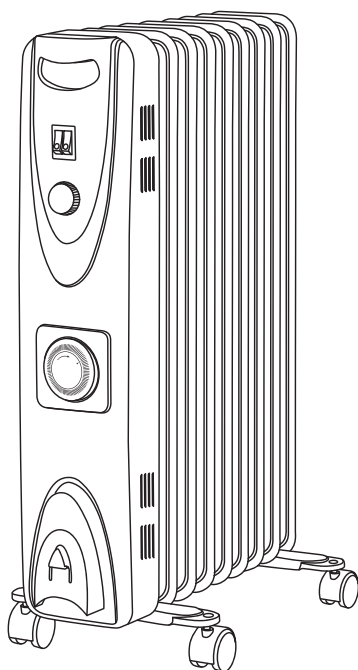


MYZEK®

OIL FILLED RADIATOR WITH TIMER

INSTRUCTION MANUAL



Model: MY01-9T & MY01-11T

BEFORE USE:

Please read the instructions carefully. You must inspect the appliance including its cable and plug for any signs of damage. If the product is damaged, **DO NOT USE** and contact your supplier immediately for refund or replacement.

This product is only suitable for well insulated spaces or occasional use.

Safety requirements for all portable heaters

- This appliance can be used by children aged from 8 years and above and persons with reduced physical, sensory or mental capabilities or lack of experience and knowledge if they have been given supervision or instruction concerning use of the appliance in a safe way and understand the hazards involved. Children shall not play with the appliance. Cleaning and user maintenance shall not be made by children without supervision.

Children of less than 3 years should be kept away unless continuously supervised.

- Children aged from 3 years and less than 8 years shall only switch on/off the appliance provided that it has been placed or installed in its intended normal operating position and they have been given supervision or instruction concerning use of the appliance in a safe way and understand the hazards involved. Children aged from 3 years and less than 8 years shall not plug in, regulate and clean the appliance or perform user maintenance.

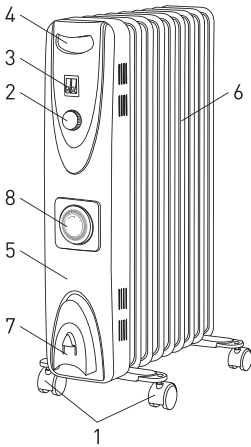
CAUTION — Some parts of this product can become very hot and cause burns. Particular attention has to be given where children and vulnerable people are present.

- If the supply cord is damaged, it must be replaced by the manufacturer, its service agent or similarly qualified persons in order to avoid a hazard.

CAUTION: In order to avoid a hazard due to inadvertent resetting of the thermal cutout, this appliance must not be supplied through an external switching device, such as a timer, or connected to a circuit that is regularly switched on and off by the utility.

- **WARNING:** In order to avoid overheating, do not cover the heater.
- The heater must not be located immediately below a socket-outlet.
- Do not use this heater in the immediate surroundings of a bath, a shower or a swimming pool.

Parts Identification:



Castor Wheel Assembly

Description	Drawing	Quantity
Castor Wheels		2
Arc-shaped Bracket		2
Wing Nut		2

1. Castor Wheels 2. Thermostat Knob 3. Switch Button 4. Handle
 5. Front Cover 6. Radiator Fins 7. Cord Storage 8. Timer

Mode and Technical data

SPECIFICATIONS		
Model No.	Rated Voltage & Frequency	Wattage
MY01-9T	220-240V~, 50-60Hz	2000W(I+II);1200W(II);800W(I)
MY01-11T	220-240V~, 50-60Hz	2500W(I+II);1500W(II);1000W(I)

Safety Control (Thermal Cut-Out)

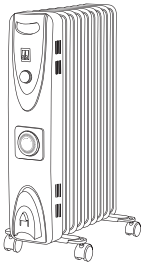
This model has two levels of overheat protection

1. Automatic thermal cut-off
Switches off the heater in the event of overheating or malfunction and resets once the temperature drops to a normal level.
2. Thermal fuse
In the event that the automatic thermal cut-off fails to operate the heater has a further safety device. This is a non-resettable switch which will require the unit be returned to an Approved Service Agent for replacement.

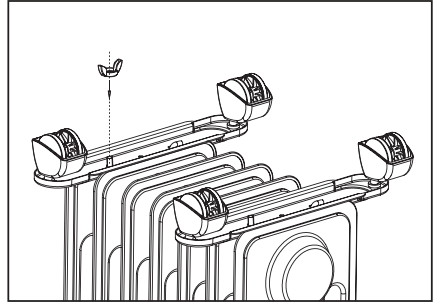
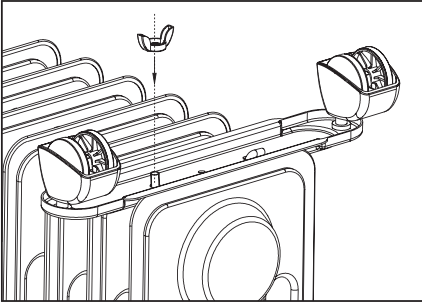
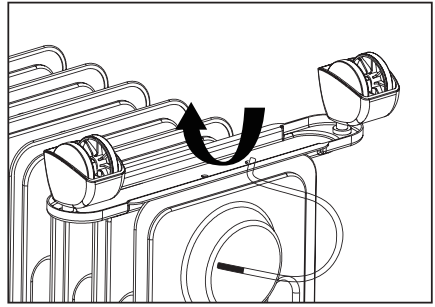
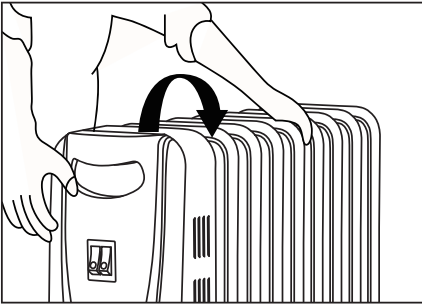
If overheating or malfunctions continue, return the heater to an Approved Service Agent for examination.

Assemble:

1. Unpack the Castor Wheels and Arc-shaped Brackets from the product packaging.
2. Turn the radiator upside-down on a scratch-free and stable surface to prevent damage to the paint finish or your floor surface.
3. Fit the Castor Wheels onto the radiator (between the last fin and the fin beside the last fin) by placing the Arc-shaped Brackets between the outermost fins on each side of the radiator.
4. Securely fasten the Castor Wheels onto the radiator by screwing the wing nuts to the arc shaped brackets.
5. Turn the radiator into the upright position after the Castor Wheel Assembly is fitted. For the correct upright position, please refer to fig below.



CAUTION: Only operate the radiator in normal upright position with Castor Wheel Assemblies attached to the bottom of the unit (wheels on the bottom, controls on the top), any other position could create a hazardous situation



Operate:

1. Place the product in an upright position on a flat, steady, stable, heat-resistant surface. Make sure there is nothing flammable or heat sensitive within 1 meter (40 inches). Operating the product in any other position could cause a hazard.
2. Insert the plug into a suitable wall outlet after turning the thermostat knob counter-clockwise to the minimum position and setting the power switches to "O" OFF. The heater is suitable for operation on an A.C. power supply having the same voltage as that show on its rating label.
3. Press the switch button to either "I" (Low heating) or "II" (Medium heating) or both "I+II" (High heating).
4. Turn the thermostat knob clockwise to maximum position. When the temperature rises to a comfortable level, slowly turn thermostat counter-clockwise until the power indicator light just goes out. To adjust the room temperature, turn the thermostat clockwise to raise the temperature, or counter-clockwise to lower it. Your unit will be automatically set an on-and-off cycle to maintain the current room temperature according to thermostat setting. (Note: It normally requires approx. 15 minutes to reach the operating temperature.)
5. To turn off the heater, Press the switch button to "0" position. The power indicator light turns off.

6. Unplug the product from the electrical outlet when it is left unattended or is not in use.

Notes:

The power indicator light will be ON only if the temperature is below the setting value of the thermostat. The power indicator light being lit indicates that the heater is supplying heat to the room.

CLOCK SETTING:

The program/timer, as in all clocks, must be set to the correct time. If for example the time is 8.00 A.M. (day zone), turn the dial clockwise (following the direction of the arrow) until 8.00 is aligned with the triangular pointer. See Fig. 1.

IMPORTANT:

DO NOT TURN CLOCK DIAL COUNTER CLOCKWISE

The timer is in effect an electric clock and only works while plug is connected to the power supply. Whenever the plug is disconnected, the timer stops and must be re-set.

IMPORTANT: There are 96 segments around the dial. Each segment represents a 1/4 hour (15 minutes). Your appliance can be programmed to switch itself ON and OFF at the time you want. With the timer you can approximate your setting to within 15 minutes and program up to 48 cycles (1 cycle=1 "ON" + 1 "OFF") over a period of 24 hours (12 hours A.M. +12 hours P.M.).

The segments can be pushed inwards or pulled outwards by merely using your fingers. When the segment is in the outward position (towards the outside of the dial), the heater will operate during that 15 minutes period. If the segment is in the inward position, the heater will not operate during this period.

You must push the segments to inward positions for the period that you want the heater to not operate. (If you want to bypass the timer, check that the all 96 segments are outwards).

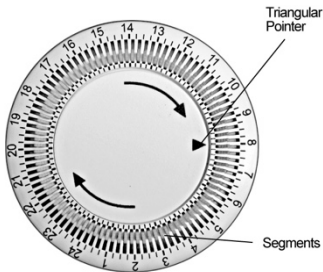


Fig 1

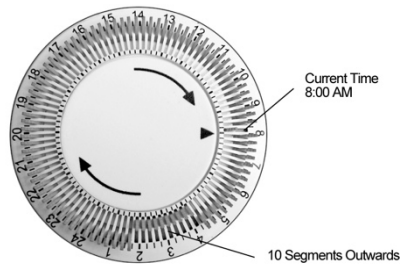


Fig 2

Timer Operation

1. Plug in the heater
2. Turn timer dial clockwise to set clock with the current time of day (see CLOCK SETTING)
3. Push segments inwards for the period you want the heater to be off. For example, Fig 2 shows that the appliance will be off from 2 A.M. to 4.30 A.M. See Fig. 2 (10 segments pushed inwards).
4. Once you have set the segments for the desired heating period, you heater will cycle on and off according to these settings.
5. As long as you keep the heater plugged in, the timer will continue to keep operating at the correct time.

Care and Cleaning:

CAUTION: Allow the product to completely cool before handling or cleaning it. Ensure the product is in the “O” OFF position and the Power Cord is unplugged from the electrical outlet before cleaning the product.

- Always ensure the product’s housing is intact and completely assembled before each use.
- Do not touch hot surfaces. Always use the handle of the product. Use protective mitts or gloves to avoid serious burns or other personal injury.
- Clean the exterior surface of the product by wiping it with a soft, damp cloth.

CAUTION: Do not allow water or other liquids to run into the interior of the product, as this could create a fire and/or electrical hazard.

- Do not use any abrasive cleaners or solvents, as product damage will occur.
- Store the product in a clean, dry place when it is not in use.

Disposal:



This marking indicates that this product should not be disposed with other household wastes throughout the EU. To prevent possible harm to the environment or human health from uncontrolled waste disposal, recycle it responsibly to promote the sustainable reuse of material resources. To return your used device, please use the return and collection systems or contact the retailer where the product was purchased. They can take this product for environmental safe recycling.

Information requirements for electric local space heaters

Model identifier(s): MY01-9T					
Item	Symbol	Value	Unit	Item	Unit
Heat output				Type of heat input, for electric storage local space heaters only (select one)	
Nominal heat output	P_{nom}	2.0	kW	Manual heat charge control, with integrated thermostat	N/A
Minimum heat output (indicative)	P_{min}	0.8	kW	Manual heat charge control with room and/or outdoor temperature feedback	N/A
Maximum continuous heat output	$P_{max,c}$	2.0	kW	Electronic heat charge control with room and/or outdoor temperature feedback	N/A
Auxiliary electricity consumption				Fan assisted heat output	
At nominal heat output	e_{lmax}	1.958	kW	Type of heat output/room temperature control (select one)	
At minimum heat output	e_{lmin}	0.791	kW	Single stage heat output and no room temperature control	[no]
In standby mode	e_{lsb}	N/A	kW	Two or more manual stages, no room temperature control	[no]
Model identifier(s): MY01-11T				With mechanic thermostat room temperature control	
Item	Symbol	Value	Unit	With electronic room temperature control	[no]
Heat output				Electronic room temperature control plus day timer	
Nominal heat output	P_{nom}	2.5	kW	Electronic room temperature control plus week timer	[no]
Minimum heat output (indicative)	P_{min}	1.0	kW	Other control options (multiple selections possible)	
Maximum continuous heat output	$P_{max,c}$	2.5	kW	Room temperature control, with presence detection	[no]
Auxiliary electricity consumption				Room temperature control, with open window detection	
At nominal heat output	e_{lmax}	2.473	kW	With distance control option	[no]
At minimum heat output	e_{lmin}	0.984	kW	With adaptive start control	[no]
In standby mode	e_{lsb}	N/A	kW	With working time limitation	[no]
				With black bulb sensor	[no]
Contact details	Contact details: Hygiene Supplies Direct Limited, Ground floor, Tayson House, Methley Road, Castleford WF10 1PA				

The importer retains his right to make changes in appearance and completeness of the item without preliminary notification to the customer.

The item is for indoor use only.

The manufacturer does not assume any liability for any damage caused directly or indirectly by not following this instruction manual, general safety rules, or interference in the construction of the product.

SERVICE WARRANTY:

Hygiene Supplies Direct guarantees the product free from defects in materials and workmanship for a period of 1 year from date of purchase. Should this unit be operated under conditions other than those recommended, at voltages other than the voltage indicated on the unit, or any attempts made to service or modify the unit, then the warranty will be rendered void. The product you buy may sometimes differ slightly from illustrations. This warranty is in addition to, and does not affect, your statutory rights. If you have any problems with this product, please call our Help Desk on 0800 091 3171 or email: sales@hygienesuppliesdirect.com