

# Pedestal / Wall Fans



**hydor**



# HPF & HWF Pedestal & Wall Mounted Fans

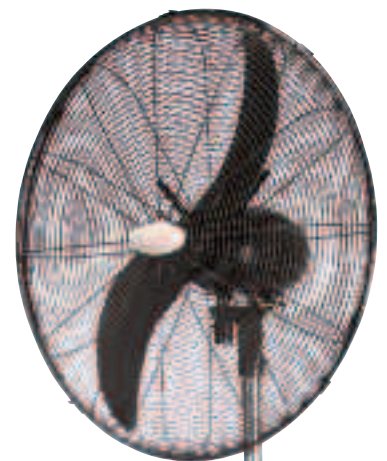
Depending upon the size of the location and the building design, air circulation may be another important facet of your environmental control requirements.

The Hydor HPF and HPW Pedestal and Wall mounted air circulation fans are designed for use in a wide variety of industrial, commercial and agricultural applications.

Whether it is for industrial warehousing, gymnasiums, factories, marquees or workshop applications, or comfort cooling within agricultural buildings for livestock, Hydor Pedestal and Wall mounted fans provide powerful, cool, yet effective, positive air movement, thereby improving the environmental conditions for both humans and animals.

## Features & Benefits

- The powerful 650mm three speed fans deliver up to a 3.83 m<sup>3</sup>/s of air and the superior performance epoxy powder coated black blades are protected by a stylish black guard.
- For ease of application, Hydor provide either Pedestal fans for floor mounting or Wall mounted fans, which can be mounted to a structurally sound wall, rafters or posts to circulate the air within the building.
- Fans are designed for smooth oscillation by swinging the fan head from side to side, circulating the fan through a 90° arc with quiet operation to provide effective cooling for the area required.
- The angle of pitch for each type of unit can be adjusted to your requirements, simply hold the fan stationary, loosen the head holding screw, adjust the angle of pitch and re-tighten the screw.
- The HPF Pedestal Fans versatility is reflected by the fully adjustable 'lockable knob' which means that the fan can be positioned at different heights, between 1460mm and 1860mm to accommodate the particular application required. To adjust the height, simply hold the fan stationary, loosen the 'locking knob', adjust the height and re-tighten the 'locking knob'.
- The airflow direction can also be altered by holding the fan stationary, loosening the 'locking knob', then rotating the motor to a suitable position and re-tightening the 'locking knob'. It is not necessary to move the base frame.
- Pedestal and Wall mounted fans all have three speeds, 1 – 3, with 0 being the 'Off' position.
- The Pedestal fan model is supported by a heavy duty cast iron base which provides added sturdiness and durability for the unit.
- The fan blades are constructed from high quality aluminium, fully balanced, with epoxy powder coated black for aesthetic appearance. The high performance motor has built-in thermal cut-out protection.
- Guards are closely meshed black painted wire with additional radial supports to provide increased stiffness.
- All models are supplied with a 2.0 metre power lead.
- Air performance and sound levels have been measured in purpose designed test facilities.
- All models require 230V/1Ph/50Hz supply.
- Units are supplied in kit form for ease of assembly.
- Models are suitable for operating at ambient temperatures of up to 45°C.
- In addition to their high performance features, Pedestal and Wall mounted units have the added benefit of Hydor's 12 month warranty.
- Available through our network of national and international specialist distributors.
- Units are designed and manufactured with procedures as defined in BS EN ISO 9001:2000.



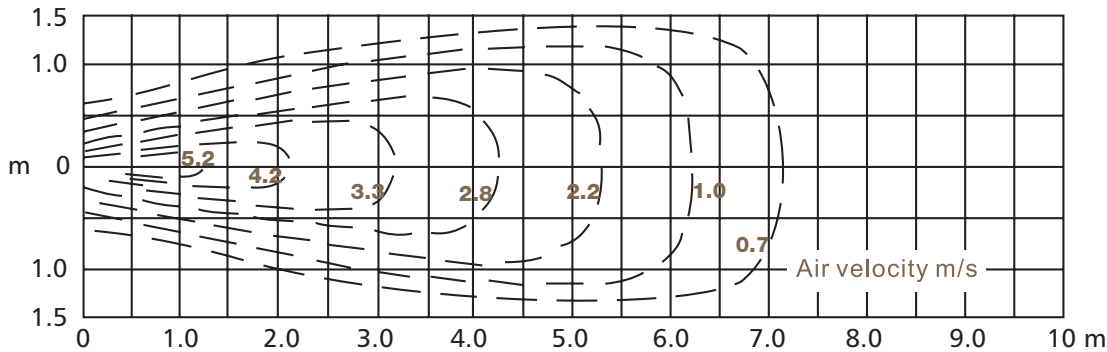
'Lockable Knob'

'Cast Iron Base'

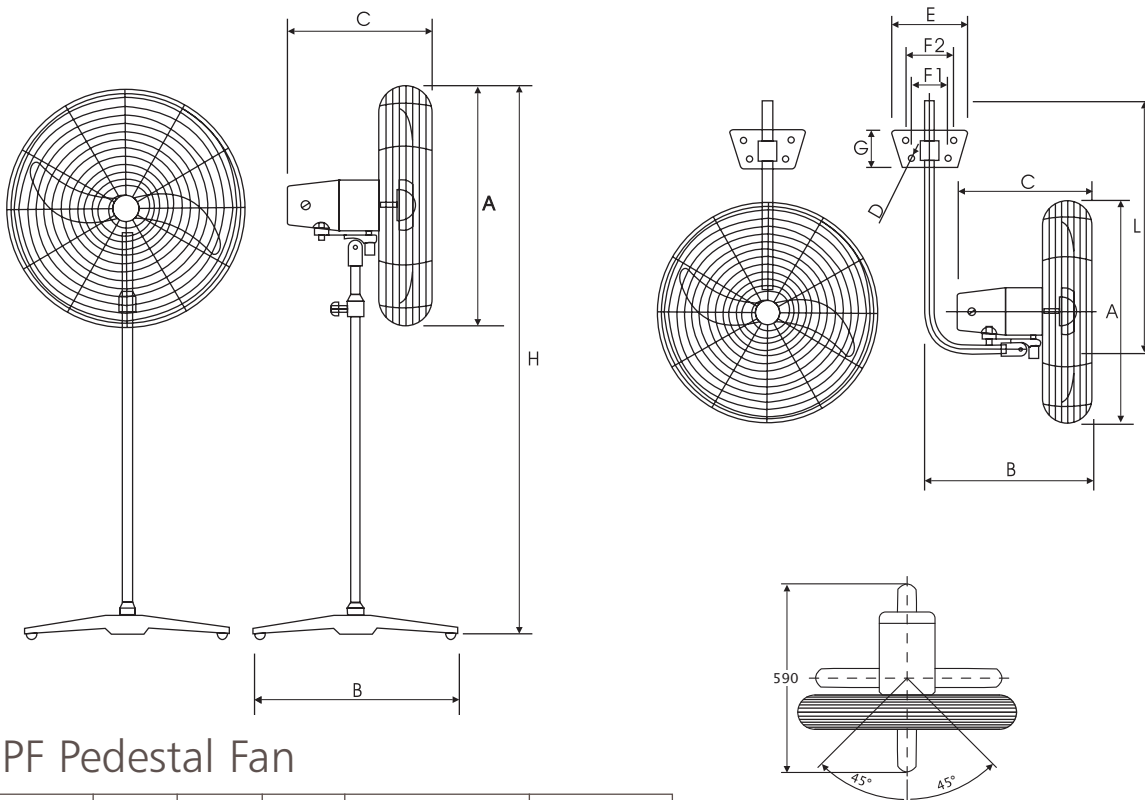
# HPF & HWF Performance Data

Product Model	Speeds (r/min)			Duty (m <sup>3</sup> /s)	Power Watts	FLC Amps	Noise Level dBA @1m
	Low	Mid	High				
HPF650	890	-	-	1.83	135	0.70	55
&	-	1050	-	2.83	143	0.85	59
HWF650	-	-	1380	3.83	179	0.98	68

## Performance Throw Curve



## HPF & HWF Dimensional Data



### HPF Pedestal Fan

Product Model	A	B	C	H	Weight kg
HPF650	690	590	360	1460 - 1860	23.0

N.B. All Dimensions are expressed in millimetres

### HWF Wall Mounted Fan

Product Model	A	B	C	D*	E	F1	F2	G	L	Weight kg
HWF650	690	290	360	14	193	96	154	100	720	14.3

N.B. All Dimensions are expressed in millimetres. \*Refers to the hole Diameter on the back plate

Products detailed within this brochure represent the stocked range of Pedestal and Wall mounted fans. With our development programme, Hydor Ltd reserves the right to alter specifications and design without prior notice in the interests of continuing product improvements.



[www.hsdonline.co.uk](http://www.hsdonline.co.uk)

Hygiene Supplies Direct Ltd · Ground Floor · Tayson House ·  
Methley Road · Castleford · West Yorkshire · WF10 1PA

Tel: +44 (0) 1977 552000

[www.hsdonline.co.uk](http://www.hsdonline.co.uk)