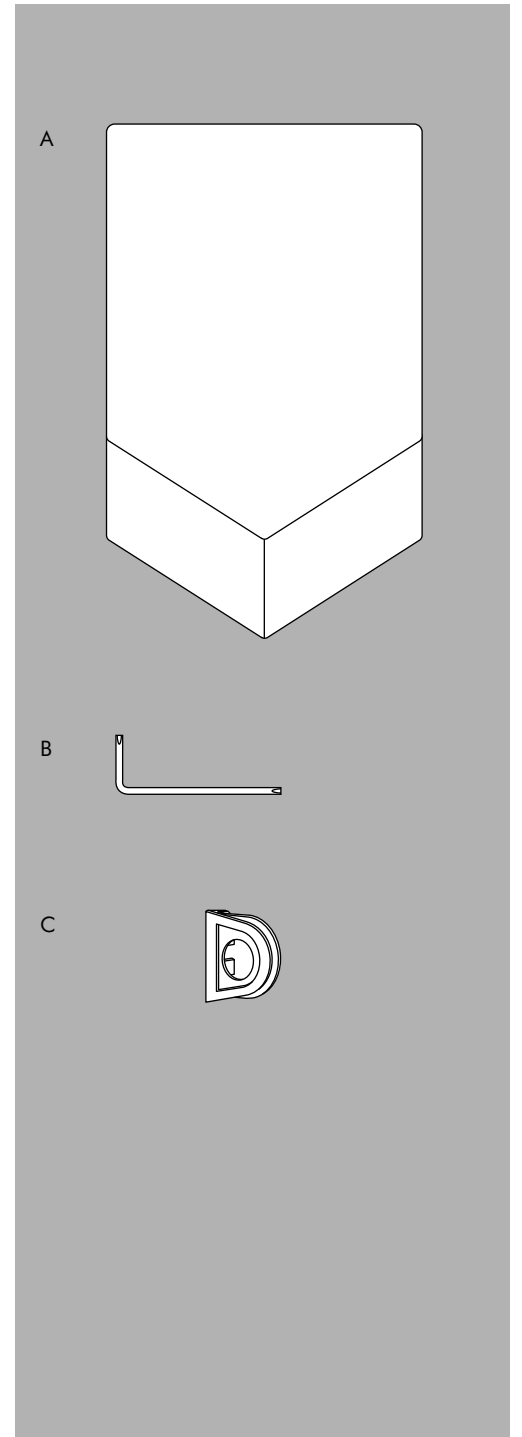




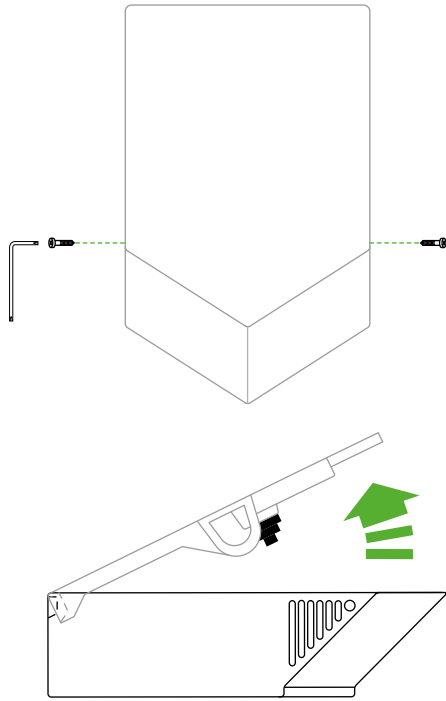
Installation guide

dyson airblade

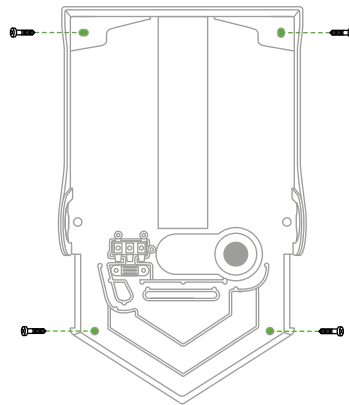
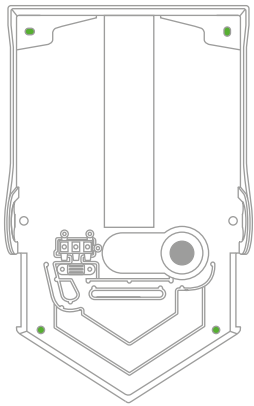
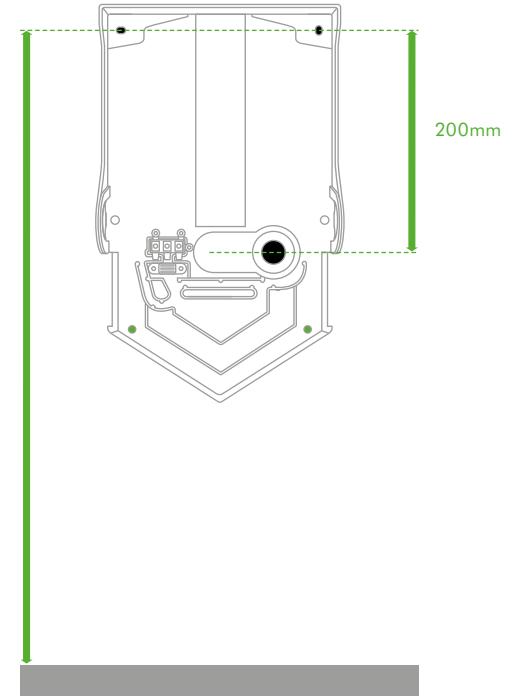
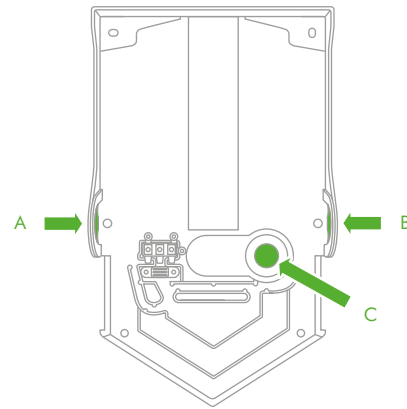
EN	32	RO	51	KR	69
BG	33	RU	52	VN	70
HR	34	SK	53	US	71
CZ	35	SL	54	USES	72
DK	36	ES	55	CA	73
NL	37	SE	57	CAFR	74
FI	39	TR	58	AE	77
FR	40	UA	59	IL	79
DE	41	BR	60		
GR	42	CL	61		
HU	43	MY	62		
IS	45	CN	64		
IT	46	HK	64		
NO	47	JP	65		
PL	48	TH	66		
PT	49	ID	68		



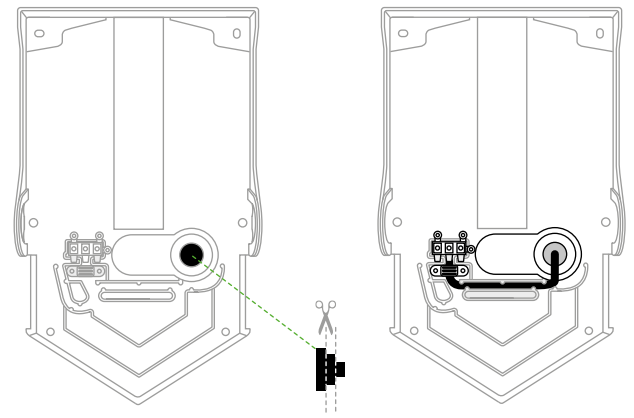
1



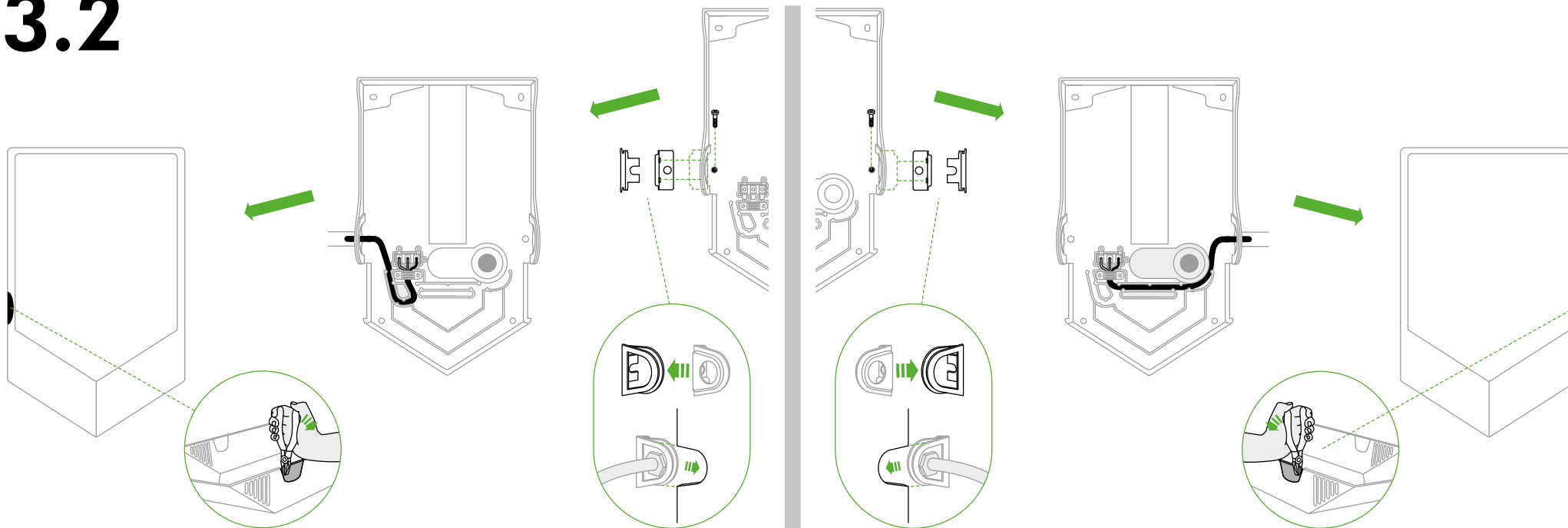
2



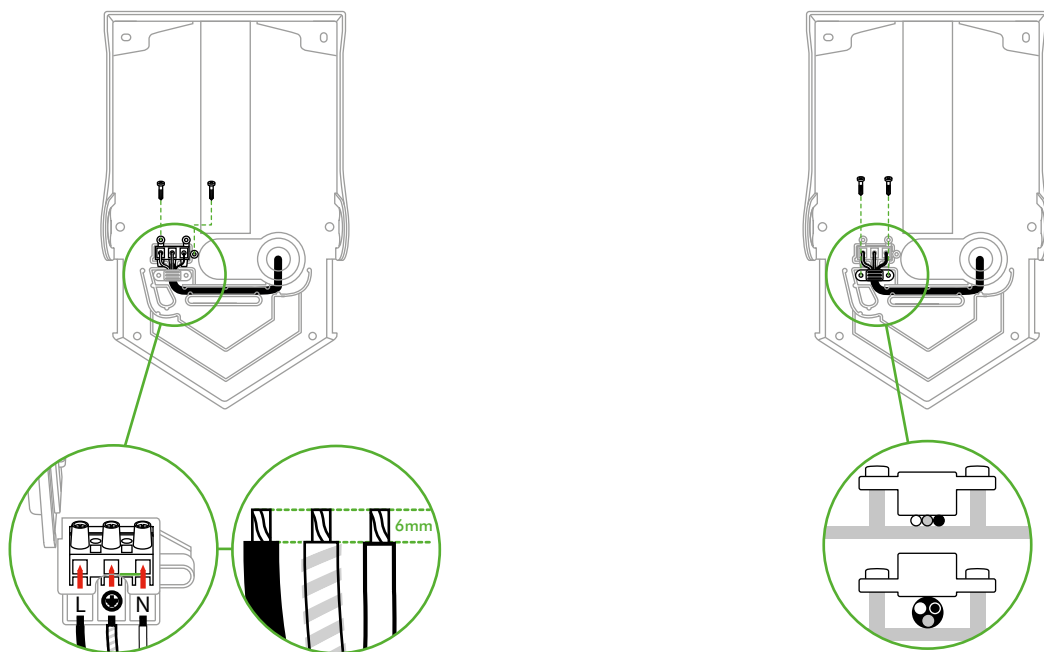
3.1



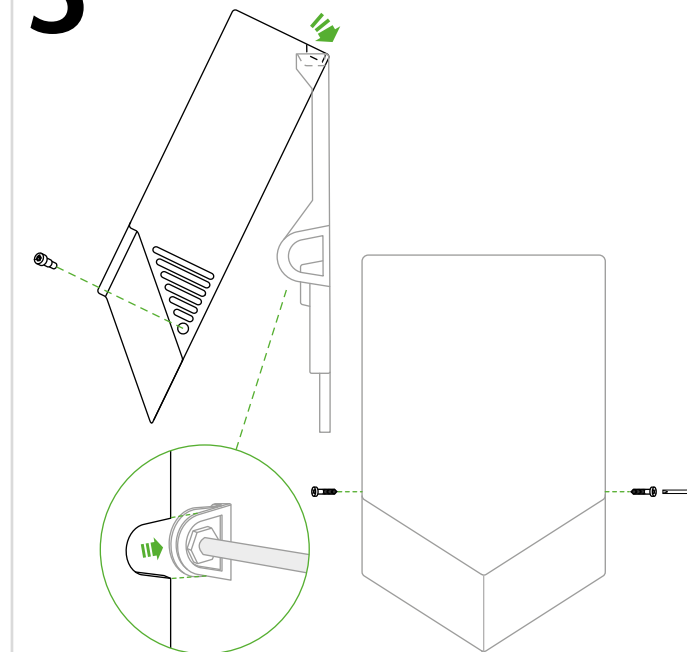
3.2



4



5



EN

READ AND SAVE THESE INSTRUCTIONS

IMPORTANT SAFETY INSTRUCTIONS

BEFORE INSTALLING OR USING THIS UNIT READ ALL INSTRUCTIONS AND CAUTIONARY MARKINGS IN THIS INSTALLATION GUIDE AND THE OWNERS MANUAL.

WARNING

All electrical installation and repair work should be carried out by a qualified electrician or Dyson Service Engineer in accordance with current local codes or regulations.

WARNING

RISK OF ELECTRIC SHOCK! If casing is removed or handled improperly the internal components of the unit may cause harm or become permanently damaged.

TO REDUCE THE RISK OF FIRE, ELECTRIC SHOCK, OR INJURY TO PERSONS, OBSERVE THE FOLLOWING:

BEFORE INSTALLATION

Before beginning any installation work you must confirm the following.

WIRING

- Check that the electrical supply corresponds to that shown on the rating plate. If the unit is connected to any electrical supply other than stated on the rating plate of the unit, permanent damage or improper/unsafe operation of the hand dryer may result.
- A means for all-pole disconnection must be incorporated into fixed wiring, in accordance with national and local wiring regulations.
- The unit must be earthed.
- When connecting the unit to the electricity supply use cable in accordance with national and local laws and applicable codes and standards, including fire-rated construction.
- If cable entry is to be from the side, it must be secured using plastic or flexible metal conduit and suitable fittings that lock to

the side bracket. The conduit and fittings must be in accordance with local and national regulations. Solid metal conduit is not suitable.

- Ensure that the conduit and wires are long enough to connect to the backplate and the terminal block.
- When wiring in the back plate the maximum length for the wire's insulation to be stripped back is 6mm.

SAFETY

- Isolate the power before installation.

INSTALLATION

- Make sure that the unit is installed in compliance with all building codes and/or regulations.
- The unit must be mounted on a flat vertical wall capable of supporting the full weight of the unit.
- Use fixings as specified in this installation guide.
- Ensure no pipe work (gas, water, air) or electrical cables, wires or ductwork are located directly behind the drilling/mounting area.
- Dyson recommends the use of protective clothing, eyewear and materials when installing/repairing as necessary.
- All metal parts in contact with this unit **MUST** be earthed, including any wall covering.
- Do not use sealant when fixing the unit to the wall.
- To avoid contact with water from the user's hands, do not install the unit above any electrical equipment.

DO NOT USE ANY JETWASH EQUIPMENT FOR CLEANING ON OR NEAR THIS UNIT.

- To avoid damage to the fascia surface during installation, store the fascia in the original packaging until it is needed.

LOCATION

- The unit is designed for dry, internal location only.
- Consult local and national accessibility codes and regulations for relevant installation guidelines. Conformity and compliance is the responsibility of the installer.
- Ensure the required electrical supply is available for later connection.
- This product is not suitable for mounting onto porous wall surfaces (e.g. plaster) without a back panel, to avoid discolouring or damage to unprotected walls. (The recommended back panel for this product is available from Dyson.)

IMPORTANT

- Please refer to the Dyson Owners Manual for details of the guarantee.

BG

ПРОЧЕТЕТЕ И ЗАПАЗЕТЕ ТЕЗИ ИНСТРУКЦИИ

ВАЖНИ ИНСТРУКЦИИ ЗА БЕЗОПАСНОСТ

ПРЕДИ ДА МОНТИРАТЕ И ИЗПОЛЗВАТЕ ТОЗИ УРЕД, ПРОЧЕТЕТЕ ВСИЧКИ ИНСТРУКЦИИ И ПРЕДУПРЕДИТЕЛНИ НАДПИСИ В ТОВА РЪКОВОДСТВО ЗА МОНТАЖ И НАРЪЧНИКА НА СОБСТВЕНИКА.

ПРЕДУПРЕЖДЕНИЕ

Всички монтаж и ремонтни работи трябва да се извършват от квалифициран електротехник или сервизен инженер на Dyson в съответствие с местните правила или наредби.

ПРЕДУПРЕЖДЕНИЕ

ОПАСНОСТ ОТ ТОКОВ УДАР! Ако кутията бъде свалена или с нея се работи неправилно, вътрешните части на уреда могат да причинят вреда или да се повредят трайно.

Уредът е предназначен само за сухо, закрито помещение.

ЗА ДА НАМАЛИТЕ РИСКА ОТ ПОЖАР, ТОКОВ УДАР ИЛИ ТЕЛЕСНА ПОВРЕДА, СЪБЛЮДАВАЙТЕ СЛЕДНОТО:

ОКАБЕЛЯВАНЕ

- Уверете се, че електрическото захранване отговаря на посоченото на табелката с данни. Ако продуктът е свързан към електрическа мрежа, различна от отбелязаната на табелката с данни, това може да доведе до трайна повреда или неправилна/небезопасна работа на продукта.
- Продуктът трябва да се заземи.
- Във фиксирани кабелни връзки трябва да се включи средство за изключване на всички полюси. Това и всички кабелни връзки към продукта трябва да са в съответствие с всички национални и местни закони и приложимите наредби и стандарти, включително пожароустойчиво строителство.