

Typhoon Range

Floor and Wall Mounted Fans



hydor

HVFB Typhoon Range

Versatile Floor or Wall Mounted Fans

Features & Benefits

The Hydor HVF Typhoon range are versatile circulation fans, ideal for a variety of horticultural, agricultural and equine buildings. The range offer high performance motors, efficient cooling and quiet operation.

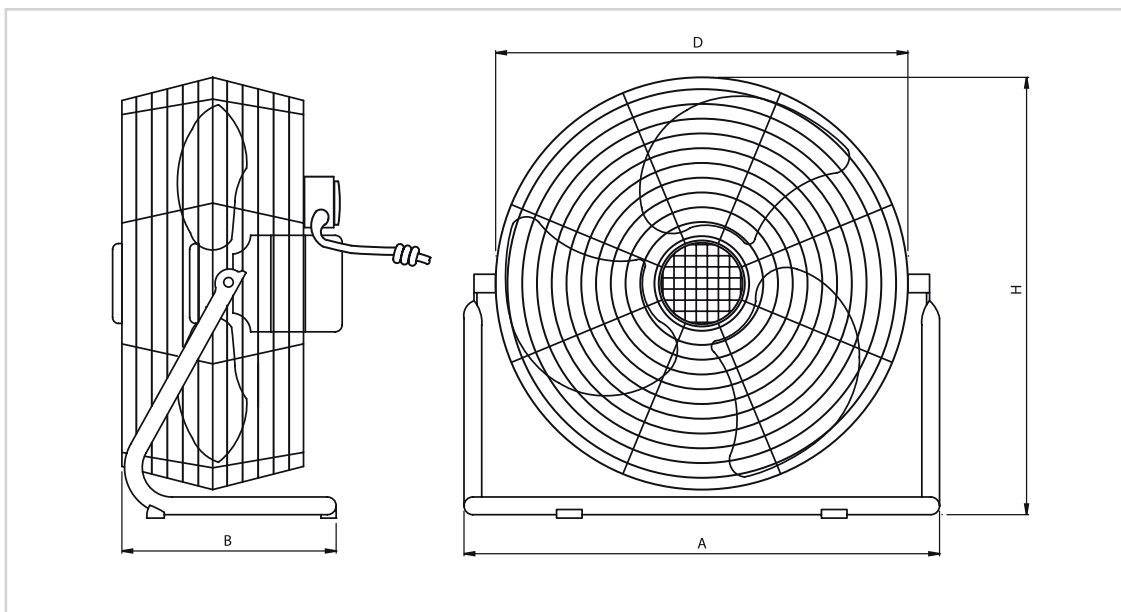


- Chrome safety guard and stylish appearance.
- Sturdy tubular base frame.
- Optional wall mounting kits available.



- Suitable for either floor use or wall mounting where space is limited.
- Built in safety thermal fuse.
- Adjustable positioning fan for precision air flow.
- 3 speed control.

Dimensional Data



Product Model	A	B	D	H	Weight (kg)
HVFB-30	395	195	356	390	4.0
HVFB-45	575	210	518	560	6.3

Performance & Electrical Data

Product Model	Size (mm)	Maximum Airflow m ³ /hr	Maximum Airflow m ³ /s	Maximum Power (Watts)	FLC (Amps)
HVFB-30	300 (12")	2700	0.75	55	0.25
HVFB-45	450 (18")	6600	1.83	180	0.84



www.hydor.co.uk

Hydor Ltd • Unit 8 • Parkers Close • Downton Business Centre
Downton • Salisbury • Wiltshire • SP5 3RB
Tel: +44 (0) 1725 511422 • Fax: +44 (0) 1725 512637
e-mail: info@hydor.co.uk • www.hydor.co.uk

HVFB_EB/21-03-14/01

A member of the



FANS

CONTROLS

SYSTEMS