

WATER BOILERS AND AUTOMATIC WATER BOILERS INSTALLATION

Installation

Install the water boiler in a room free from the risk of frost, vertically on a wall.

Water connection for EBK 5 G/GA, EBK 5 K, KBA 5 KA.

Observe DIN 1988 and the regulations specified by your local water supply utility. The tap is supplied with the water boiler. The fill and outlet tap can be connected to the water line either on unfinished or finished walls or in conjunction with a water connection valve.

Power supply for EBK 5 G/GA, EBK 5 K, KBA 5 KA.

Observe the VDE 0100 [or local equivalent] and the regulations specified by your local power supply utility as well as the rating plate. Compare the voltage, select an adequate cable cross-section and the correct fuse/MCB.

The water boiler is supplied with a three-core power cable and safety plug.

Water connection

for KA 5, KA 10, KA 15, KA 50.

Observe DIN 1988 and the regulations specified by your local water supply utility. Route the steam pipe over a drain funnel or a sink and never seal it off.

KA 5, KA 10

Cold water automatically replaces drawn-off hot water. The water is reheated up to the boiling point. In case of faults, steam may be expelled from the steam pipe (on-site).

KA 15, KA 50.

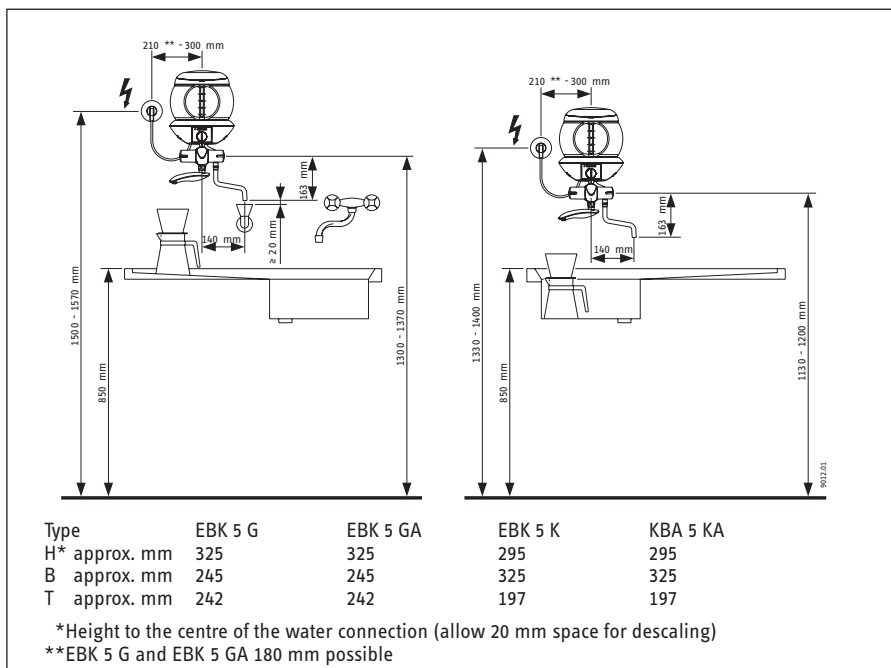
The automatic water boiler is connected to the cold and hot water line (max. 70 °C) via a fill valve (special accessory). At flow rates in excess of 15 l/min, install a regulating tee (special accessory). Steam created during heating-up excess water during filling and the expansion water are expelled via the steam pipe.

Power connection

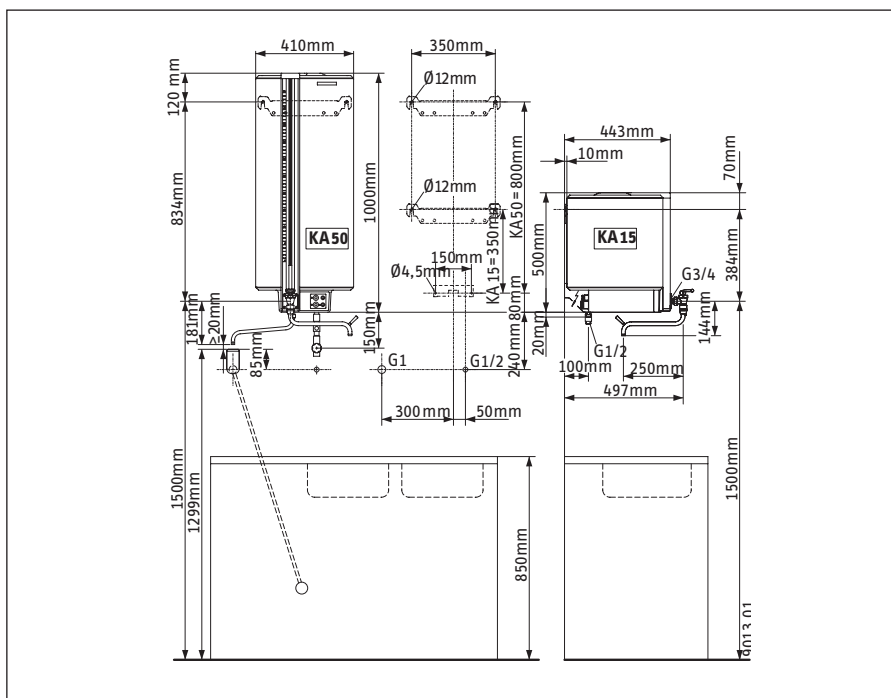
for KA 5, KA 10, KA 15, KA 50.

Observe the VDE 0100 [or local equivalent] and the regulations specified by your local power supply utility. Compare the voltage, select an adequate cable cross-section and the correct fuse/MCB. The automatic water boiler is only intended for permanent connection to an AC power supply.

The appliance must be able to be separated from the mains supply by fuses/MCBs that isolate all poles with at least 3 mm contact separation.



Installation dimensions for water boilers.

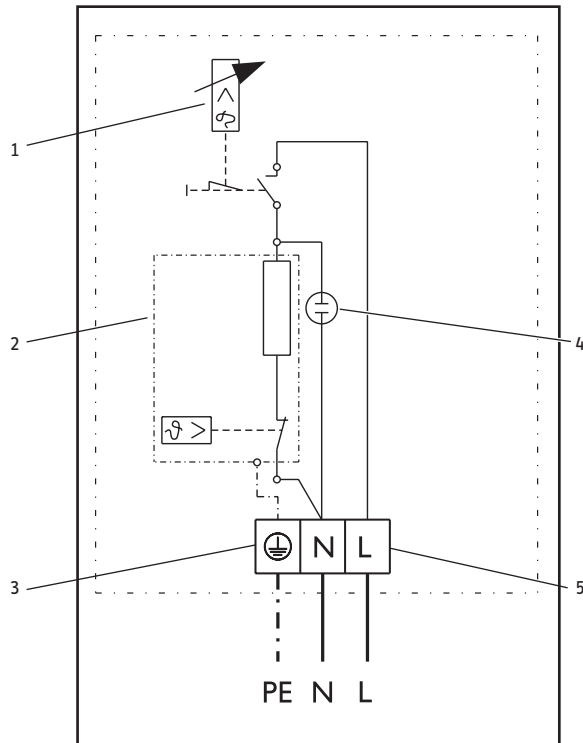


Installation dimensions for automatic water boilers KA 15, KA 50

Maintenance

Almost every type of water deposits limescale at high temperatures. It is therefore essential that water boilers are descaled from time to time. Use environmentally compatible descaler based on formic acid, such as Cilit descaler. Descalers that generate a lot of foam can result in the appliance overflowing which would put users at risk.

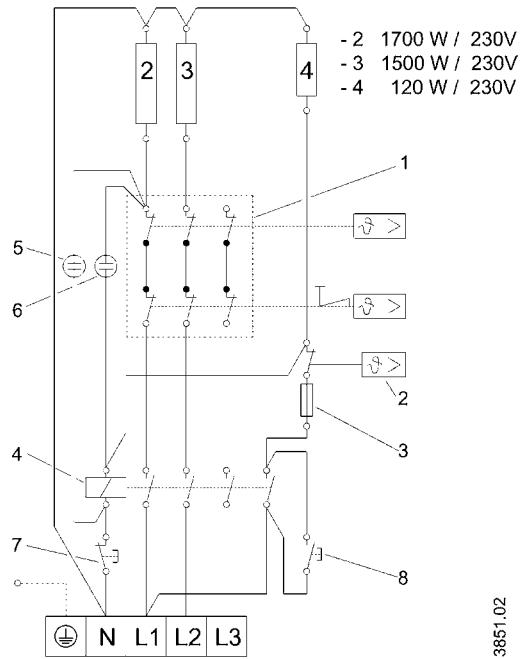
Connection diagram for EBK 5 G, EBK 5 GA, EBK 5 K, KBA 5 KA



- 1 Limiter, temperature selector
- 2 Concealed element heating system discmatic® with safety control thermostat
- 3 Earth terminal
- 4 Glow lamp
- 5 Mains terminal

8247_01

Wiring diagram for KA 15, KA 50

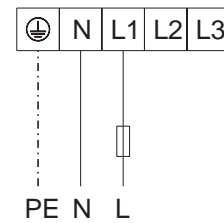


- 1 Combi controller: limiter
- 2 Temperature limiter
- 3 Temperature limiter
- 4 Contactor
- 5 Red indicator
- 6 Yellow indicator
- 7 OFF pushbutton
- 8 ON pushbutton

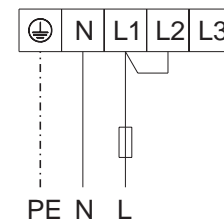
3851_02

Sample connections KA 15, KA 50

1,8 kW 1/N/PE ~ 230V



3,3 kW 1/N/PE ~ 230V



WATER BOILER EBK 5 K AUTOMATIC KBA 5 KA AUTOMATIC



EBK 5 K

At a glance

- **EBK 5 K** with white casing and white lever tap
- **KBA 5 KA** with grey casing and chrome-plated three-handle tap
- Concealed element heating system - discmatic®
- Wall mounting bracket with variable appliance position (depth of installation)
- Variable water connection (may be trimmed to size) with optional reduction
- Optional surface mounting or connection with water valve
- Infinitely adjustable temperature for warm, hot or boiling water
- Boiling point detection at precisely 100 °C
- Automatic switch-OFF
- Optional immediate reheating of the water to boiling point
- Descaling aperture with closure
- Easy wall mounting with practical installation template

Appliance description

EBK 5 K, KBA 5 KA automatic

Water boilers for supplying hot and boiling water in domestic or similar applications. Transparent plastic container with casing and water level scale for indicating partial fill levels. discmatic® concealed element system with high efficiency for directly heating potable water.

With boiling point detection and automatic switch-OFF, i.e. with the "Boiling" setting, the appliance switches itself off automatically after it has boiled the water briefly; the water can be manually reheated to boiling points immediately.

Infinitely adjustable temperature limiter from approx. 35 °C to boiling point. Heat-up indicator; integral safety temperature limiter; descaling aperture with cap; tap/valve with reduction option.

Surface mounting or connection with water valve.

Fill & drain valve, plus connection line with earth contact plug, are part of the standard delivery.

EBK 5 K

Plastic appliance with white casing; white-coated brass lever tap with optional reduction and twin nipple (may be trimmed to size). Filling via a special valve lever; draw-off cold or hot through the upper valve parts. Pivoting spout approx. 150 mm.



KBA 5 KA

Appliance description


KBA 5 KA

Plastic appliance with grey casing; three-handle tap/valve (chrome-plated brass) with reduction option.

Filling or drawing through top valve parts.

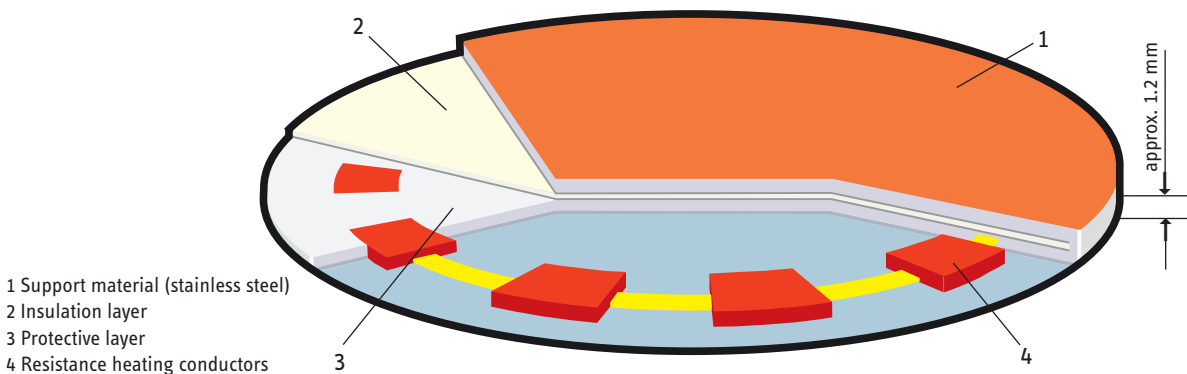
Pivoting spout approx. 176 mm.

Safety and quality

 IP 24 D (splash-proof)

Country-specific versions and certifications upon request.

Diagram, discmatic® concealed element heating system



SPECIFICATION

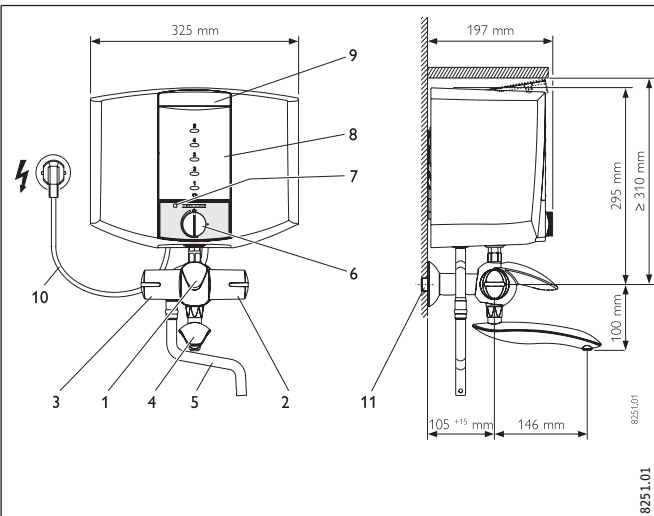


Type
Part no.
Colour
Container (material)
Capacity
Type
Water connection
Tap body (material)
Tap body (material)
Colour, tap casing
Pivoting arm (length)
Weight
Protection
Power supply

EBK 5 K automatic
07 42 88
White (casing)
Plastic
Max. 5
Open vented
G 1/2"
Brass
Plastic
White
150
2.7
IP 24 D (splash-proof)
2.0 kW, 1/N/PE ~ 230 V

KBA 5 KA automatic
07 42 89
Light grey (casing)
Plastic
Max. 5
Open vented
G 1/2"
Brass
-
Chrome-plated surface
160
2.6
IP 24 D (splash-proof)
2.0 kW, 1/N/PE ~ 230 V

EBK 5 K Dimensions and connection dimensions in mm



- 1 Filling the appliance
- 2 Drawing cold water
- 3 Drawing hot water
- 4 Tap outlet pipe
- 5 Overflow/steam pipe
- 6 Temperature selector with pushbutton function for starting the appliance
- 7 Glow lamp as heat-up indicator
- 8 Plastic container with level indicator
- 9 Lid for descaling
- 10 Power cable with plug (650 mm long)
- 11 Cold water connection G 1/2"

KBA 5 KA Dimensions and connection dimensions in mm

